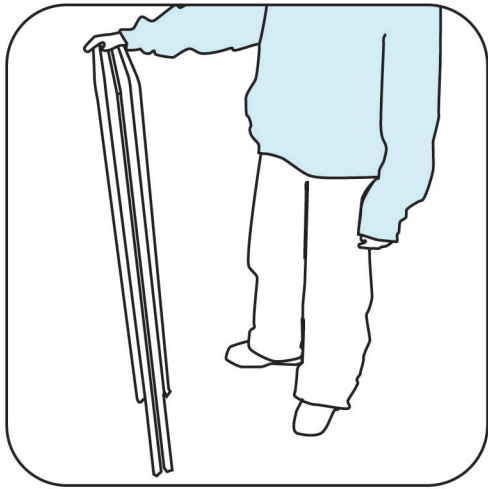
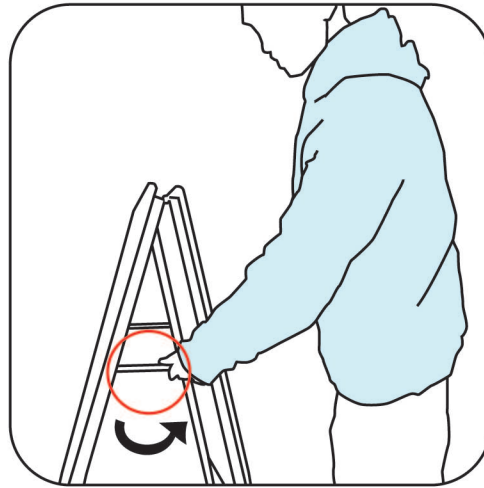


A-Frame Assembly Guide

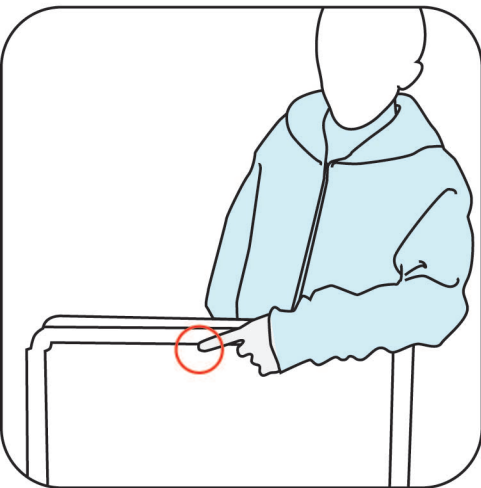


1. Lay the A-Frame on the ground

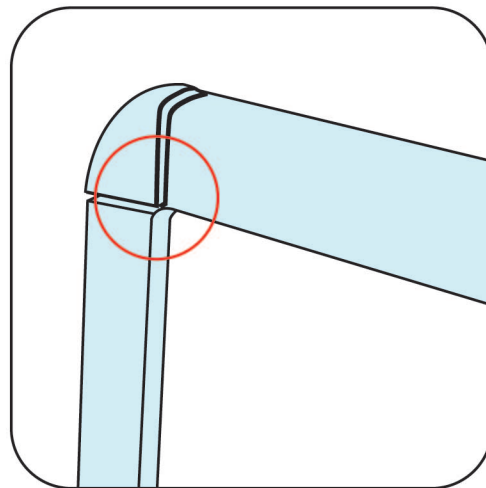


2. open it and make sure the poles are locked properly

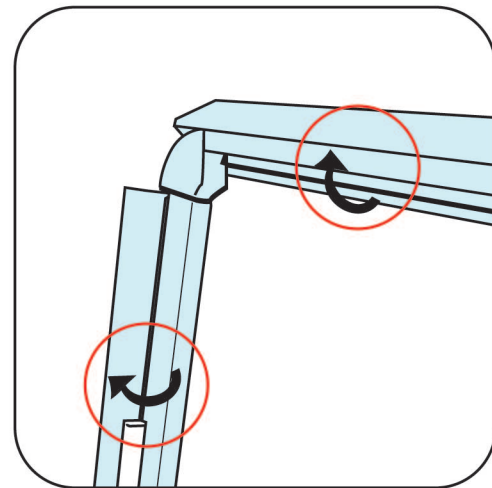
Poster changing Guide



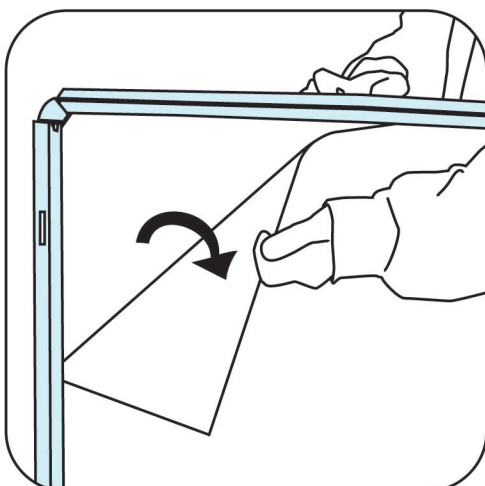
1. open the clip



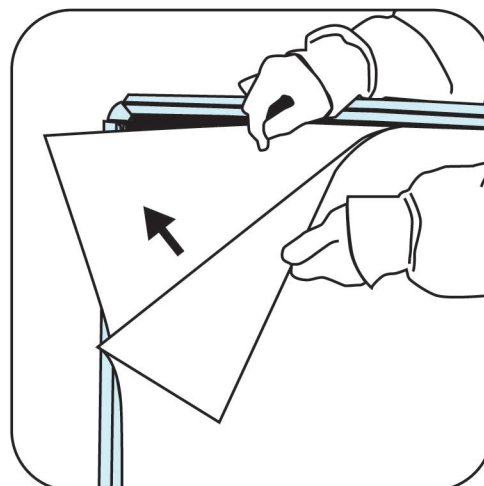
1. open the clip



3. unlock the clip



4. take off the cover



5. remove the poster from inside